



Adjustable Pedestals System



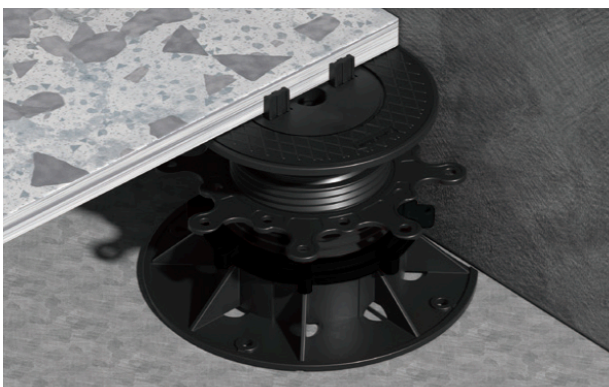


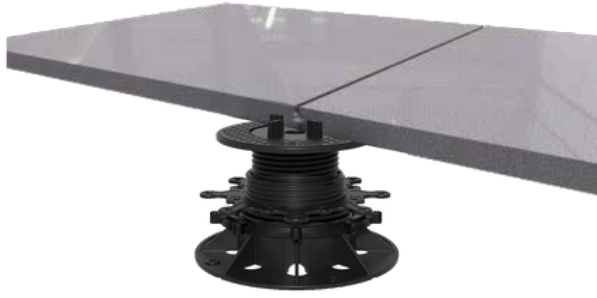
Adjustable Pedestals for Paving

- KERSI Adjustable pedestal is made of PP, anti-UV materials, talc, and other robust compounds.
- Designed to support outdoor decking made of various materials, including wood decking, WPC decking, stone, ceramics, composite materials, metal, fibreglass, and gravel, etc.
- Suitable for installation on a stable surface, including over insulation boards.

Pedestals Utility

KERSI adjustable pedestal is the best&quick solution for your raised floor system, both for decking and paving tiles. Among all other pedestals, The KX type have many advantages to make your job easier and efficient.



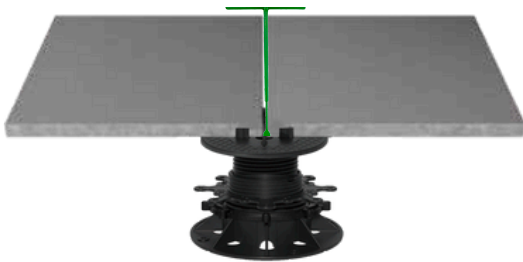
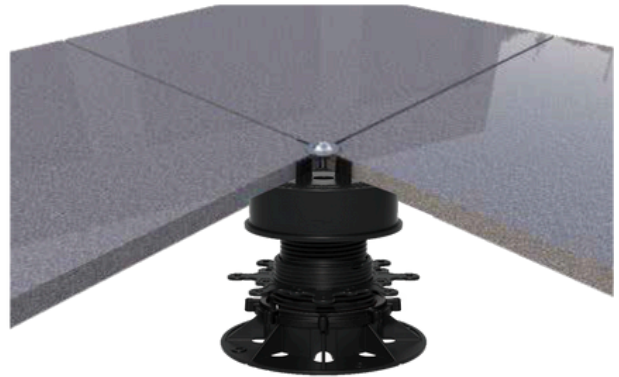


Original aesthetic

Pedestal accessories are completely hidden underneath the tiles, being invisible

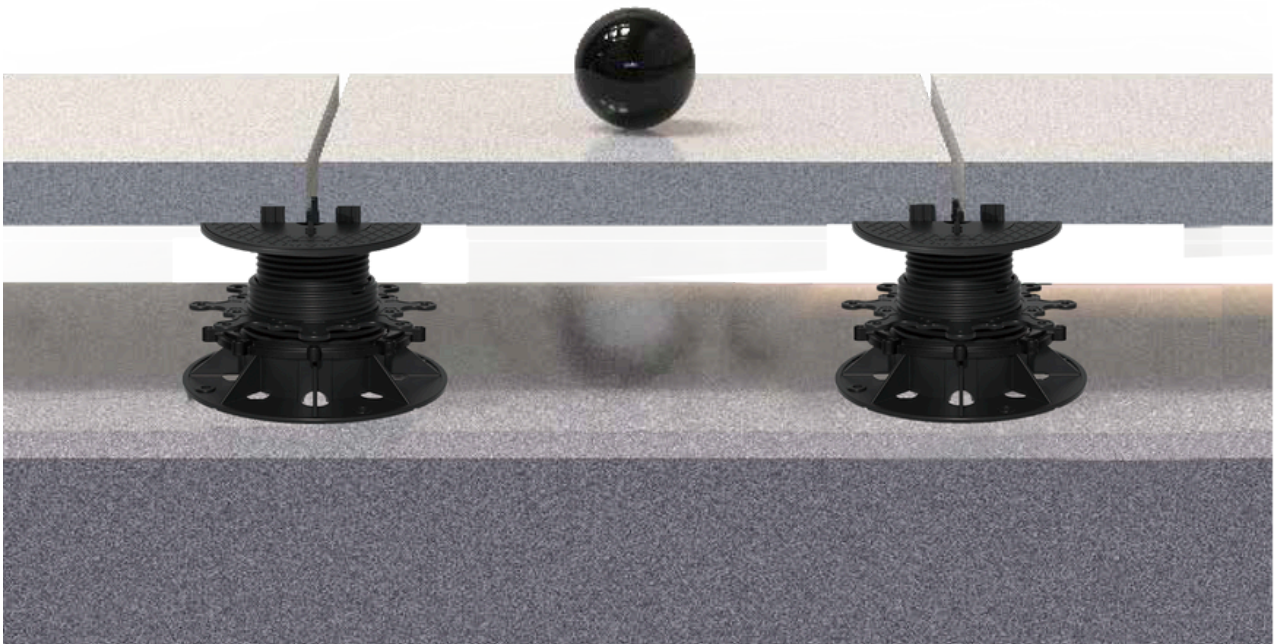
One basic pedestal

Stackable Extension pad gives advantage that one size pedestal could reach more height, no need to change another size



Adjustment Key

By using adjustment key, you can level the terrace. Just insert the adjustment key in the cross of the head and turn it slowly



KX Type Components

Adjustment Key

Adjust the height from the top,
no more relaying the pavers

Spacer Tabs

Keeps pavers evenly spaced
and allows adjustment key through

Extension Pad(45mm)

It can be stacked on top
of the pedestal

Head

Soft rubber injected on head

*Pre-added
with rubber parts

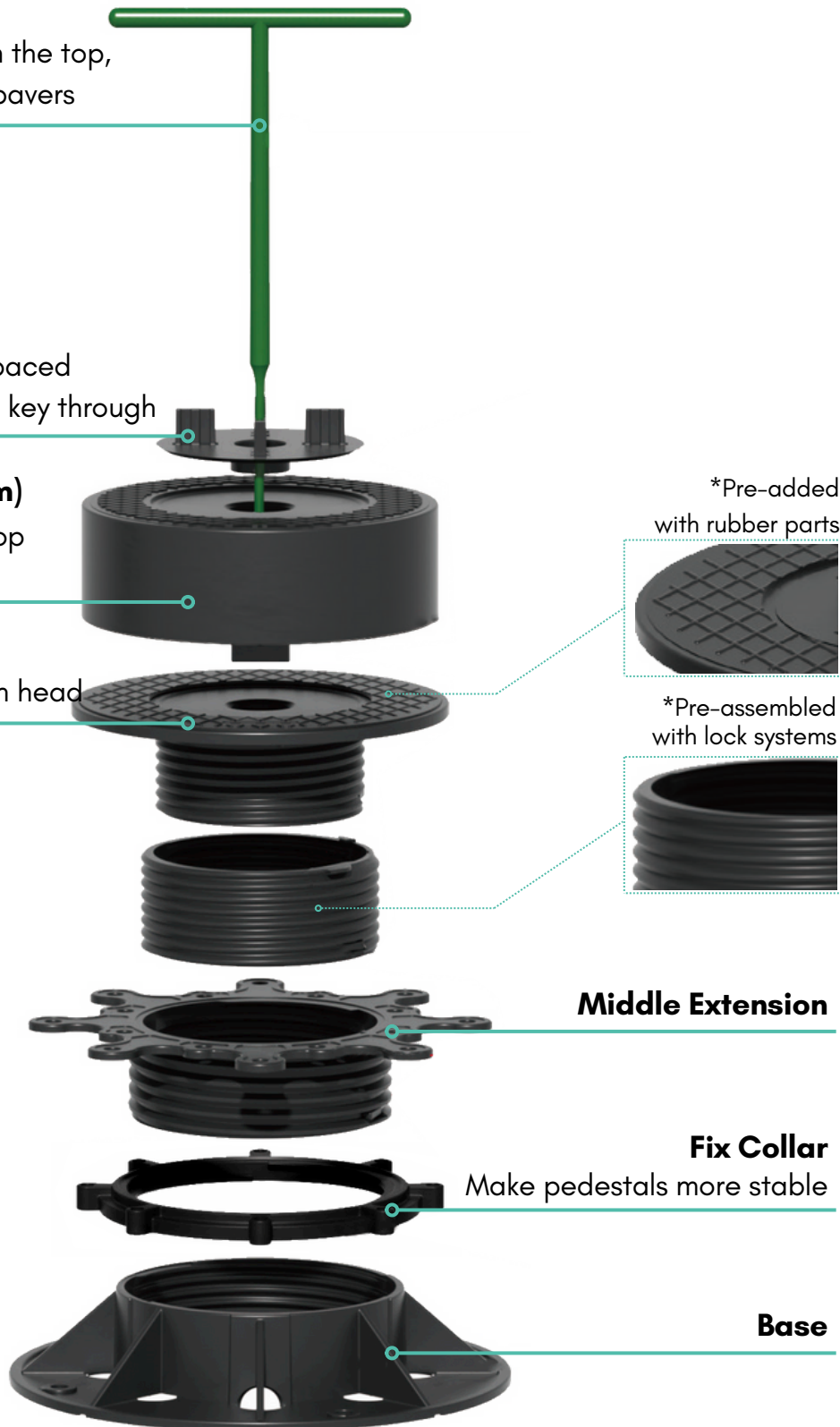
*Pre-assembled
with lock systems

Middle Extension

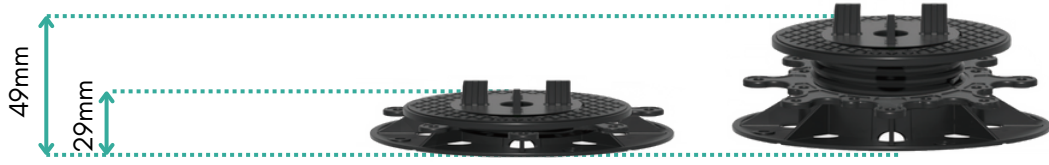
Fix Collar

Make pedestals more stable

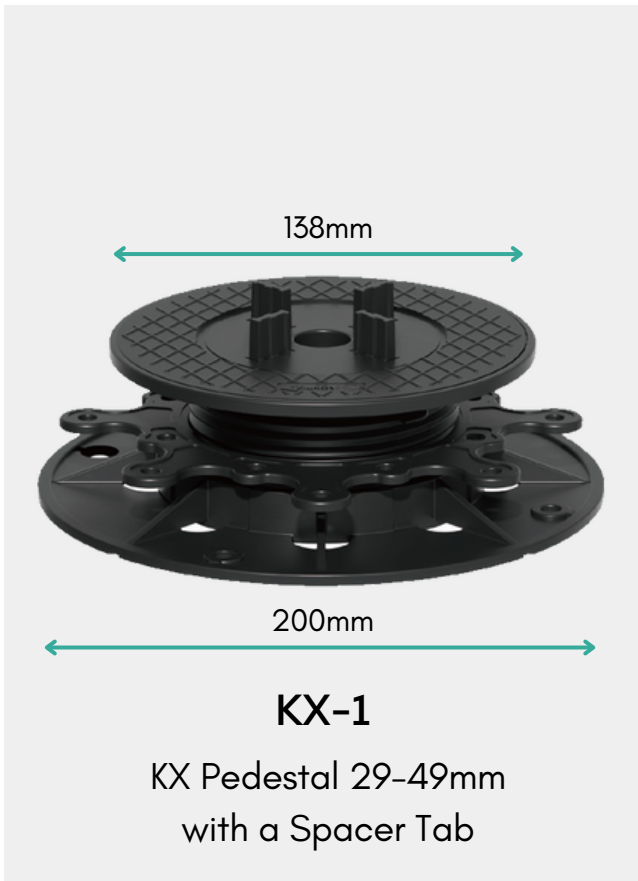
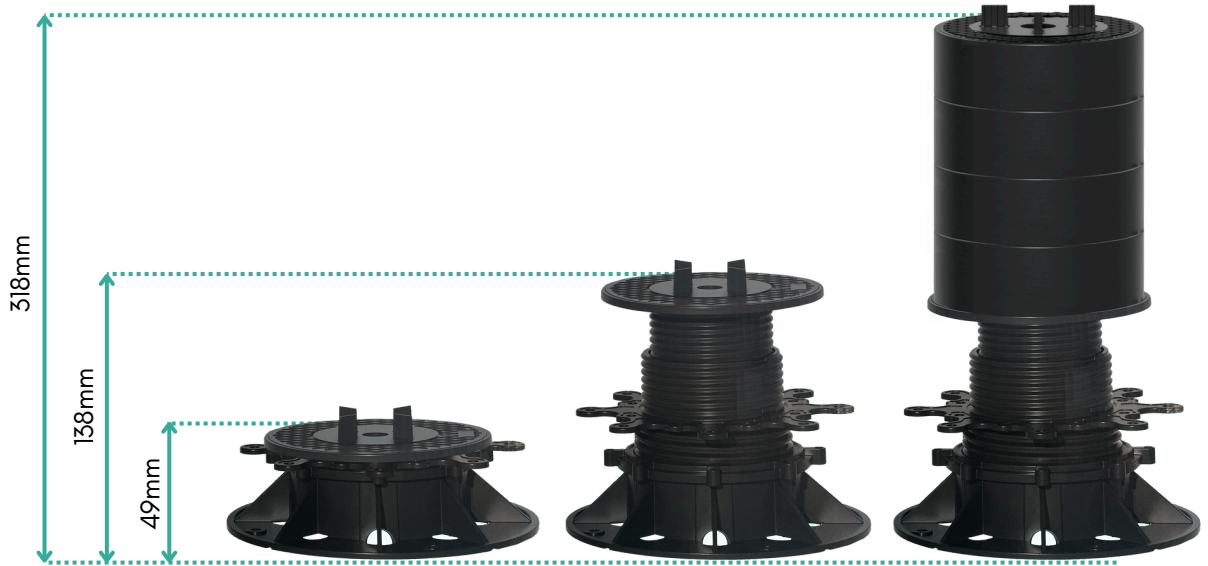
Base

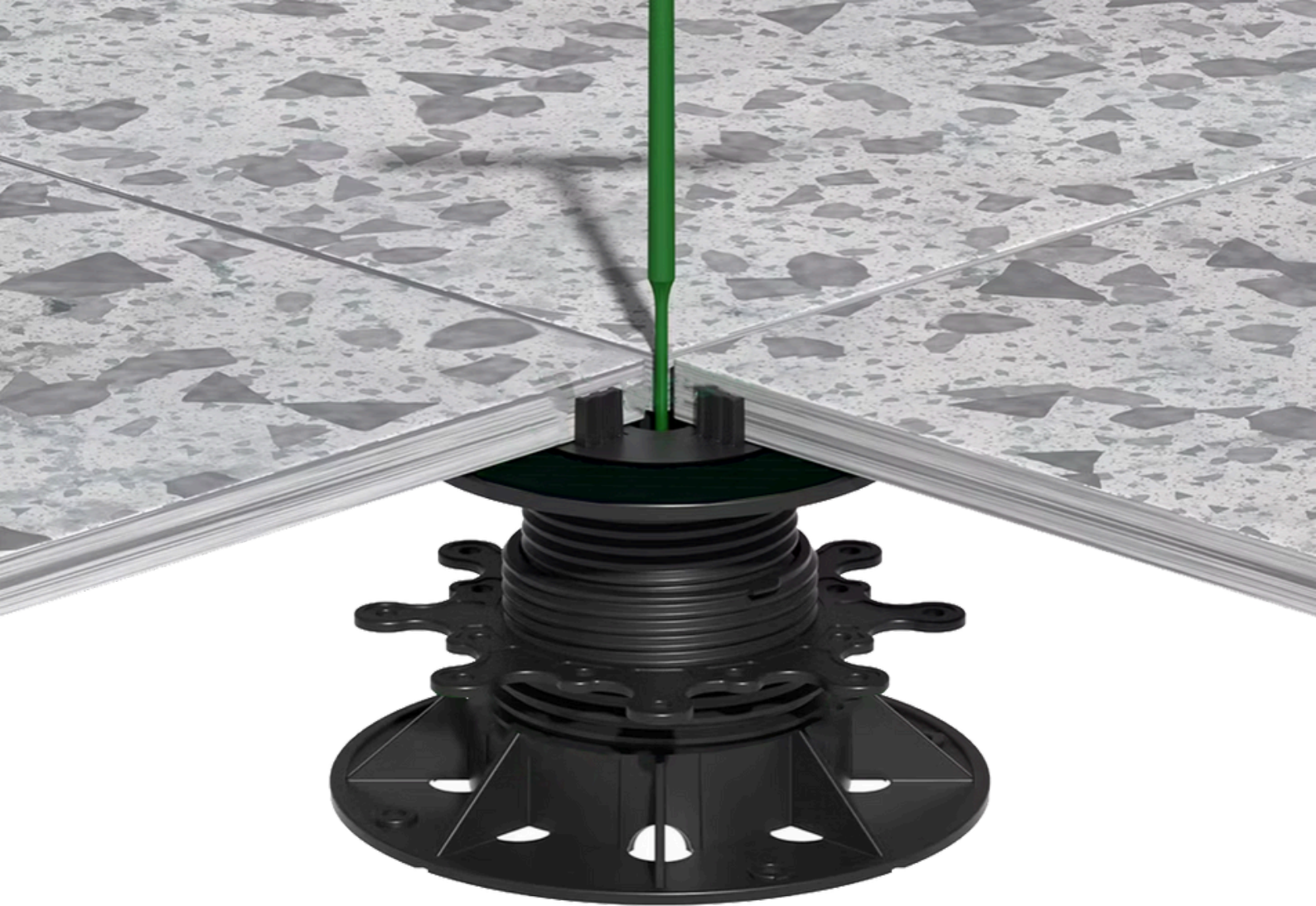


KX-1



KX-2

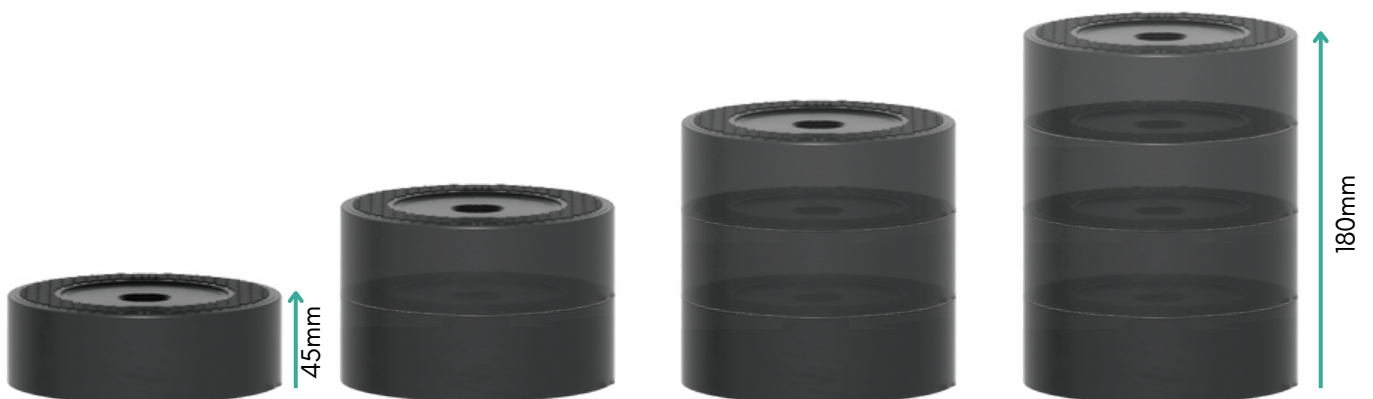




Extension pad

If you need more height, you can add Extension Pad 45mm to add on top. Adding 4 extension pads will reach a maximum height of 183mm.

(Other competitors pedestals normally need 4-5 to reach this height range)



8 Advantages for a installing Pedestals



Only 2 sizes
to achive 29-138mm



800Kgs loading
and breaking strength



45mm Extension pad
stackable



Rapid water
outflow



Easy of
maintenance



Increased thermal
insulation



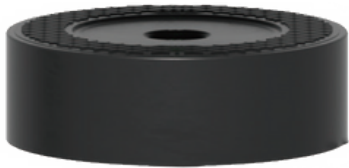
Spacer tab
and shims included



Speed of
installation



Available to order accessories



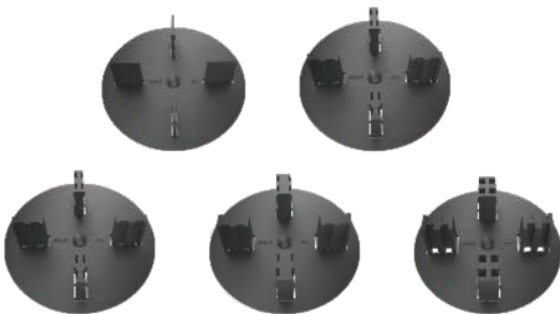
Extension Pad

Extension pad, each pad give 45mm additional height, and they are stackable up to 4



Shim Rubber

- 1mm only
- Added anti-slip performance
- Shock and sound absorption



Spacer Tabs

- 2mm/3.5mm/5mm/8mm/10mm
- The head can be fitted with spacer tabs, to give the desired opening between tiles



Adjustment Key

Adjust height from the top by adjustment key, no need repeat lifting and laying the tiles